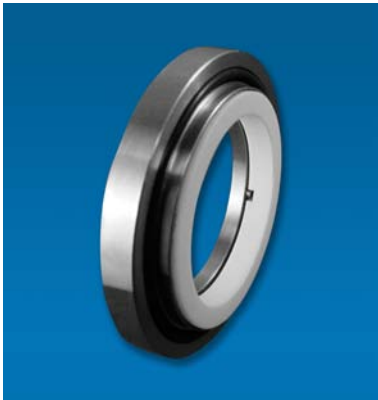




S4

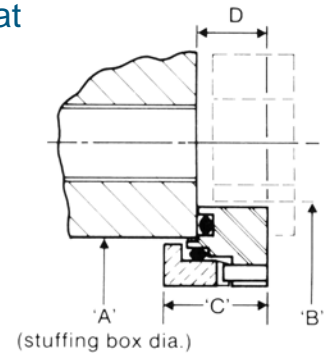


Chem-a-lign (Cush-a-lign)

The **Cush-A-Lign** and **Chem-A-Lign** spigot into the stuffing box bore and are therefore self-centering.

Seat faces cannot be distorted by overtightening of gland nuts as gland pressure is exerted on the metal seat holder only.

The stationary seat is resiliently mounted on an 'O' ring which dampens most vibration from the pump. This allows the stationary seat to "float" for maximum face.



Shaft Size	INCH			
	A	B	C	D
1	1.625	2.135	.625	.437
1 1/8	1.750	2.260	.625	.437
1 1/4	1.875	2.385	.625	.437
1 3/8	2.000	2.510	.625	.437
1 1/2	2.250	2.760	.625	.437
1 5/8	2.375	2.885	.625	.437
1 3/4	2.500	3.135	.625	.437
1 7/8	2.625	3.260	.625	.437
2	2.750	3.510	.625	.437
2 1/8	2.875	3.760	.625	.437
2 1/4	3.000	3.885	.625	.437
2 3/8	3.062	3.916	.625	.437
2 1/2	3.250	4.135	.625	.437
2 5/8	3.375	4.260	.625	.437
2 3/4	3.750	4.510	.750	.563
2 7/8	4.000	4.632	.750	.563
3	4.000	4.632	.750	.563
3 1/8	4.250	4.947	.750	.563
3 1/4	4.250	4.947	.750	.563
3 3/8	4.500	4.947	.750	.563
3 1/2	4.500	4.947	.750	.563
3 5/8	4.750	5.510	.750	.563
3 3/4	4.750	5.510	.750	.563
3 7/8	5.000	5.667	.750	.563
4	5.000	5.667	.750	.563